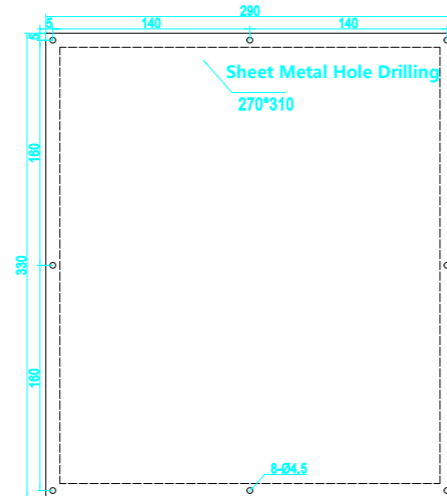
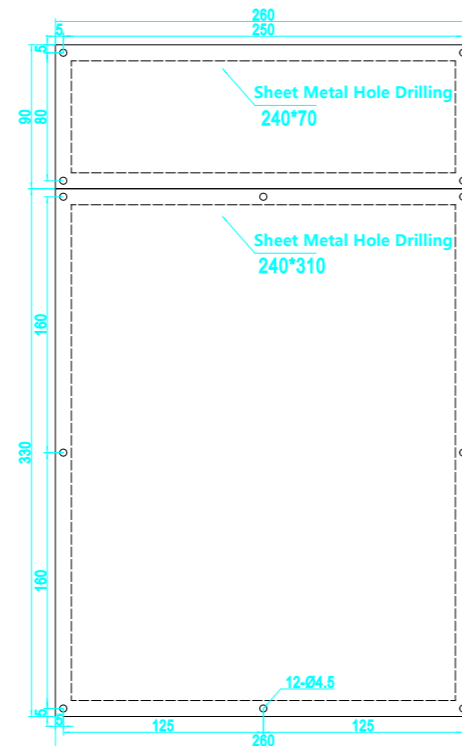




SS-2933-ZG-B



TD500A-JZ



Product Information	
Product Name	Standard Drilling and Tapping Machine Panel
Product Model	SS-2933-ZG-B
Dimension Appearance	290*330
Applicable System	Fanuc/Mitsubishi
Working Voltage	DC24V ± 5%
Protection Class	IP54
Communication Method	Matrix (bus type optional)
System I/O Occupancy	13 inputs/16 outputs
Encryption Method	Software encryption, and remote-control support

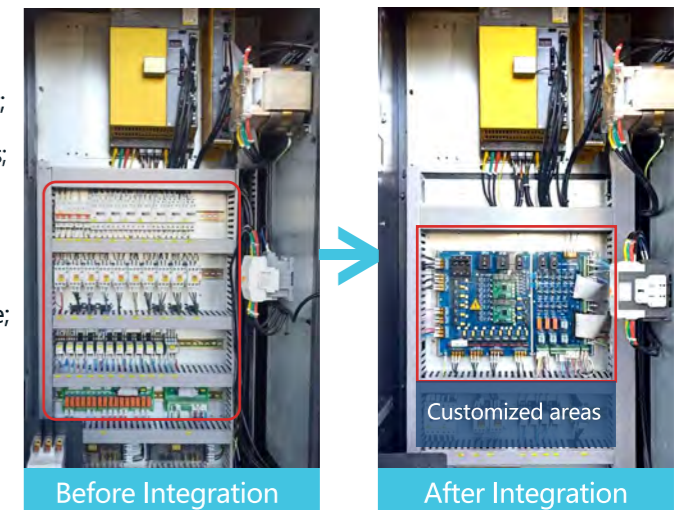
Product Information	
Product Name	Standard Drilling and Tapping Machine Panel
Product Model	TD500A-JZ
Dimension Appearance	260*330+260*90
Applicable System	Fanuc
Working Voltage	DC24V ± 5%
Protection Class	IP54
Communication Method	Matrix (bus type optional)
System I/O Occupancy	13 inputs/16 outputs
Encryption Method	Software encryption, and remote-control support

## PRODUCT OVERVIEW

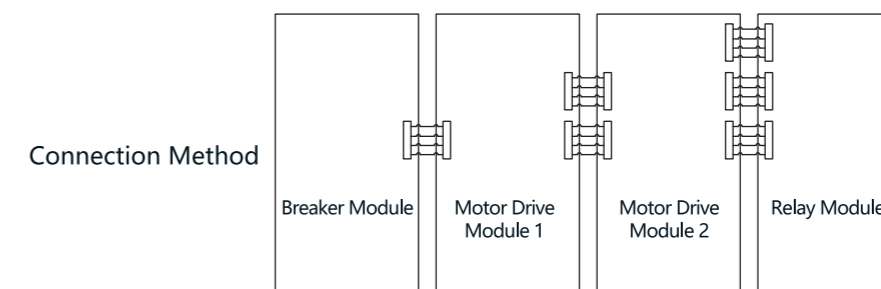
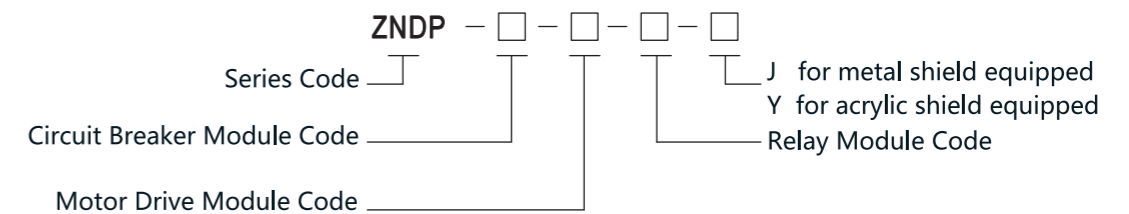
Intelligent Switchboard is developed on the basis of the traditional Switchboard, which can replace some common components controlling the three-phase asynchronous motor in the original panel, including the circuit breaker, AC contactor, thermal protection relay, arc extinguisher with impedance and capacitor, relay module and others; it features simple wiring, strong anti-interference ability, small size, easy to install, cost savings, low failure rate, versatility, high reliability, high coefficient of safety and other advantages.

## FEATURES IN BRIEF

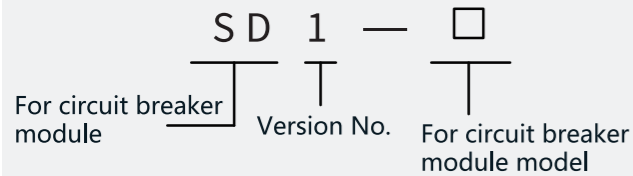
- 1.Highly integrated, modularity in design, with high reliability;
- 2.Protection function for motor phase failure, short circuit, overload;
- 3.Circuit breakers with oil damping replace metal bellows circuit breakers;
- 4.Wide adjustable range of overload current;
- 5.Fast response time for short-circuit protection;
- 6.Control signals of high and low levels are commonly applicable;
- 7.Diversified selection of motor drive modules;
- 8.Modules can be replaced, maintenance is simple and fast.



## MODEL DESCRIPTION

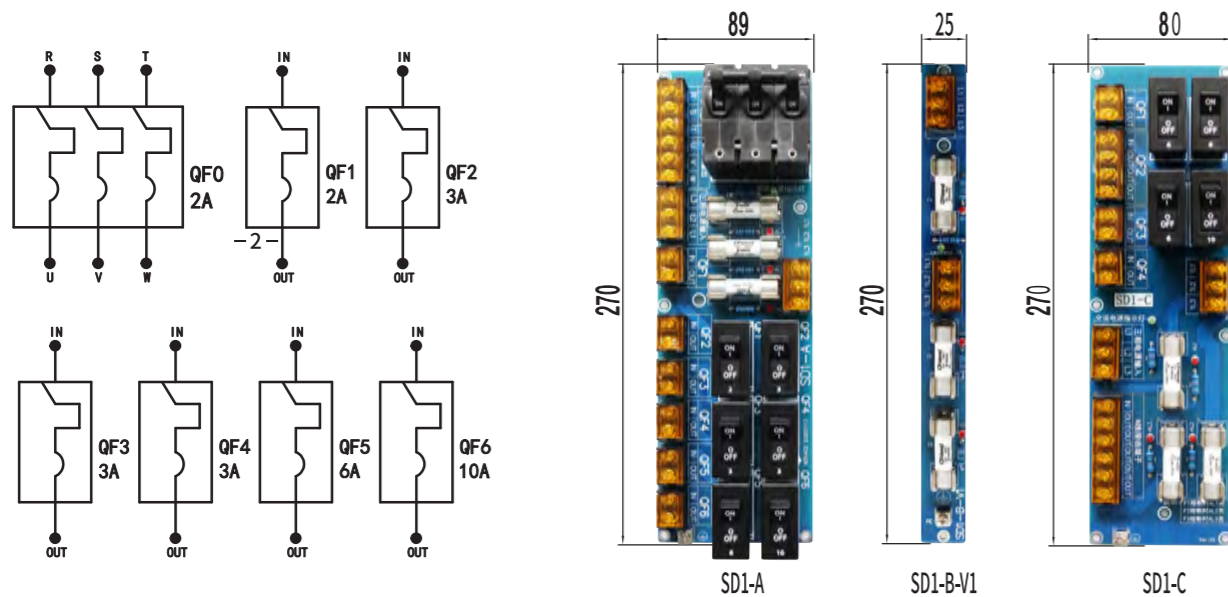


## CIRCUIT BREAKER MODULE DESCRIPTION



## MODULE TYPE

Code	1	2	3
Model	SD1-A	SD1-B-V1	SD1-C



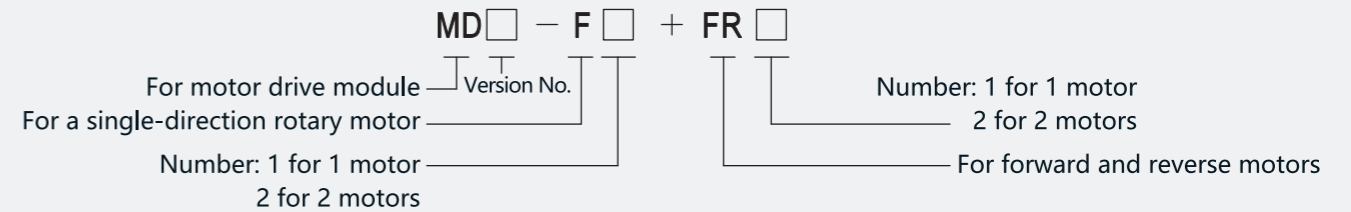
## INDICATOR LIGHT DESCRIPTION

Three-phase AC Indicator: The indicator lights up when there is power in the three-phase electric power. AL1, AL2, AL3: When the fuse is working normally, the three indicator lights do not light up, if a light is lit, it indicates that the indicator corresponding to the fuse is faulty, it is necessary to cut off the three-phase power supply, after ruling out the failure point and replacing the fuse, before powering up.

## PRECAUTIONS

- 1. It is prohibited that customers replace the fuse not provided by our company without permission to prevent the circuit board line from burning out;
- 2. When the fuse is fault, please solve the cause of the short circuit before replacing it;
- 3. Circuit breaker specifications can be replaced, please contact us if you need other specifications of circuit breakers;
- 4. The precision of circuit breakers with oil damping is higher than that of traditional circuit breakers. When choosing specifications, full consideration should be given to the starting current and other circumstances to prevent tripping when in use.

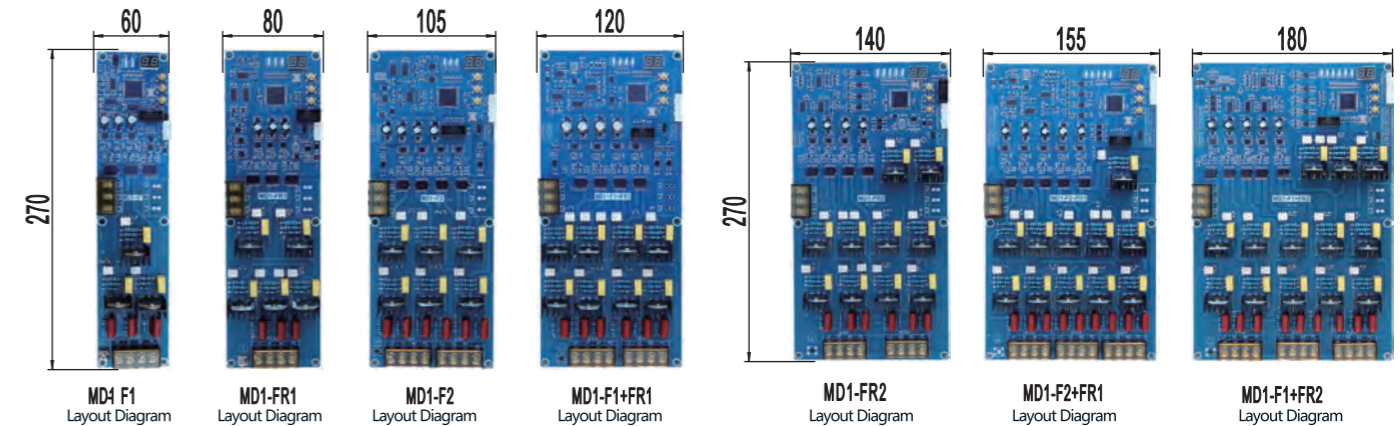
## MOTOR DRIVE MODULE DESCRIPTION



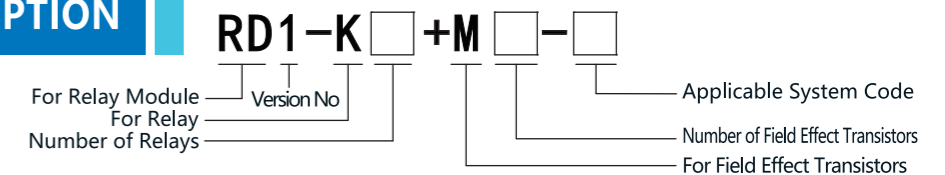
## MODULE TYPE

Code	A	B	C	D	E	F	G	S*
Model	MD□-F1	MD□-FR1	MD□-F2	MD□-F1+FR1	MD□-FR2	MD□-F2+FR1	MD□-F1+FR2	MD□-F4+FR2

If a motor drive module can not meet the requirements, the above modules can be used in combination, motor drive module Codes can be added for selection, such as A + F. S is a double-layer plate to reduce the mounting area and can drive 4 single-direction rotary motors and 2 forward and reverse motors.



## RELAY MODULE DESCRIPTION



Code	1	2	3	4
Model	RD1-K5+M8	RD1-K16+M15+BY2	RD1-K14-TY	RD1-K19
Remark	1 plug contains 24 inputs, 16 outputs. 1 on/off lower relay	2 plugs contain 48 inputs, 32 outputs. 1 on/off relay, 2 spare relays	2 plugs contain 48 inputs, 32 outputs. 1 on/off relay.	2 plugs contain 48 inputs, 32 outputs. 1 on/off relay.



RD1-K5+M8



RD1-K5+M8-XD



RD1-K14-M80



RD1-K14-TY



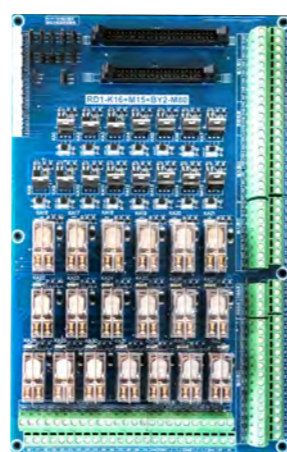
RD3-K3+M10



RD1-K16+M15+BY2



RD1-K19



RD1-K16+M15+BY2-M80

## PRECAUTIONS

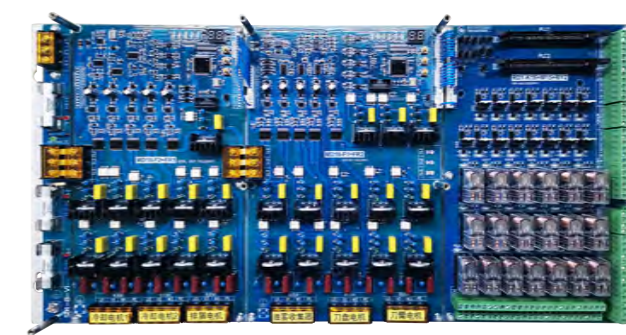
- ◆ 1. The effective value of the control signal of the relay module can be selected by using the mini jumper, when the output is effective at high level, the COM terminal and OV are shorted. When the output is effective at low level, COM terminal and 24V are shorted; and the corresponding mini jumper on the motor drive module should be set synchronously;
- ◆ 2. FET driver only outputs DC +24V, maximum current 2.3A, not for controlling AC loads or high voltage loads;
- ◆ 3. The start and overload signals of the three-phase asynchronous motor controlled by the smart panel will occupy the input and output points of the system.
- ◆ 4. The default IO plug of the relay module is 50-pole right-angle plug, if you need other forms of plugs, you can contact us to replace the relay module or increase the corresponding adapter module;
- ◆ 5. Circuit breaker module and relay module with special requirements can be customized design.

Due to the limited space, can not describe the specific use of each module in detail, for more detailed content, please contact us, our company will send specific instructions according to demand.

## MODELING EXAMPLES



Model: ZNDP-1-G-3

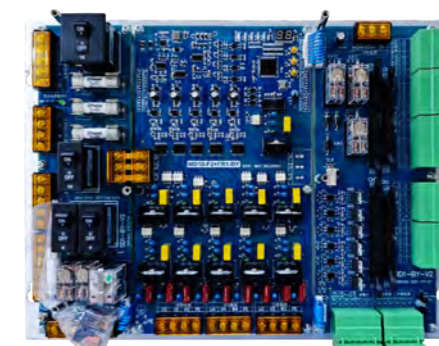


Model: ZNDP-2-F+G-2

## CUSTOMIZED DESIGN EXAMPLES



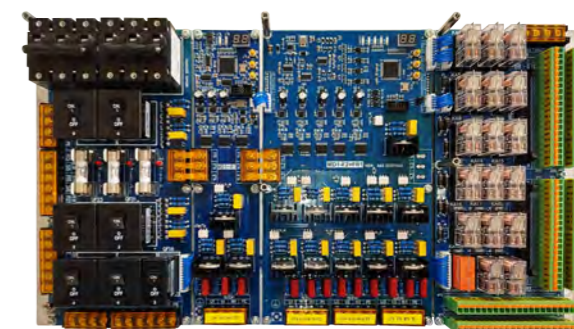
Model: ZNDP-2040-L1  
System: Fanuc



Model: ZNDP-BY-V2  
System: Huazhong or KND



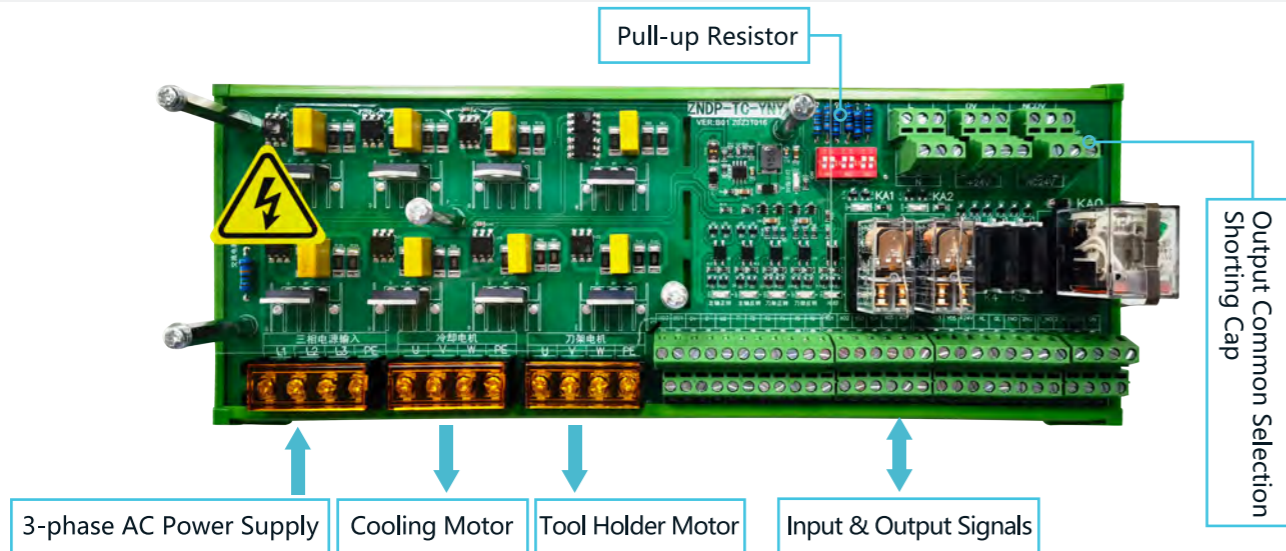
Model: ZNDP-XAJL-V2  
System: Fanuc or Syntec



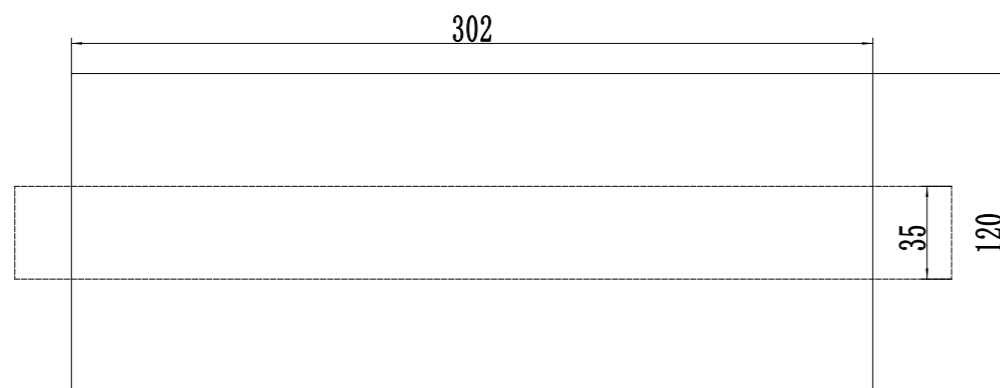
Model: ZNDP-MF85QSa  
System: Fanuc or Huazhong

## ECONOMIC ZNDP-TC-YNJ FEATURES IN BRIEF

- ◆ 1、Highly integrated and reliable;
- ◆ 2、Control signal high and low level common;



- Pull-up resistor description** The tool position signal is connected to a 2K 1/2W pull-up resistor inside the board, and the tool position signal is active low.
- Short Circuit Cap Description** When the short circuit cap is shorted to COM and 0V, the output signal +24V is valid. When the short circuit cap is shorted to COM and +24V, the output signal 0V is valid.
- Installation Dimensions Description** The mounting of the Switchboard is 35mm U-type snap rail with the size of 302\*120mm.



## PRODUCT OVERVIEW

Safety door switches are used to detect the opening and closing status of doors, and are used in equipment, assembly lines, and specific job A device that meets specific safety requirements for the premises and is a standard accessory in CNC machine tools.



## FEATURES IN BRIEF

- ◆ 1. Dual choice of metal head and plastic or metal housing to ensure overall strength and improve reliability
- ◆ 2. Cable outlet direction adjustable, metal head allows four directions of adjustment, providing five kinds of plug options
- ◆ 3. Provide manual unlocking and allow manual unlocking in case of emergencies
- ◆ 4. Quick and easy installation, high flexibility and compatibility
- ◆ 5. Hazards and risks to personnel can be reduced

